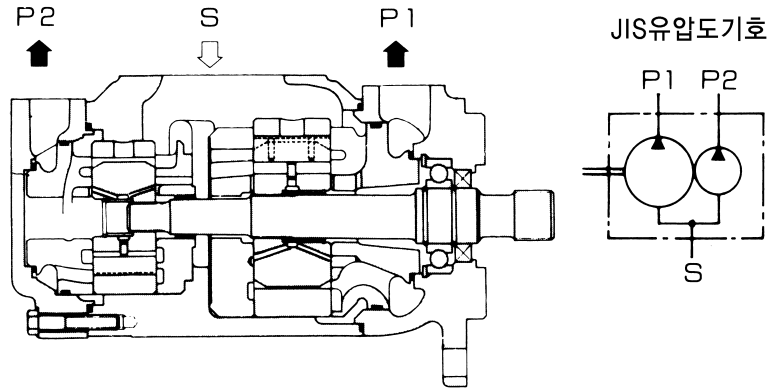


## DOUBLE VANE PUMP

## BT6CC,DC,EC,ED SERIES

### ■ 특징

하나의 흡입 port를 지닌 2조의 BT6 pump를 동일 구동축으로 운전하는 pump입니다. 각 pump가 토출하는 기름은 별개의 회로에 공급 할 수 있습니다.



### ■ Model 번호

BT6C	-022	-008	-1	R	00	-C	-1	-00
Series	shaft 측 pump cartridge	cap 측 pump cartridge	shaft	회전방향	port방향	design (제조원에서 결정)	seal	port size
BT6CC*	003, 005, 006 008, 010, 012 014, 015, 017 020, 022, 025 028, 031	003, 005, 006 008, 010, 012 014, 015, 017 020, 022, 025 028, 031	1. key-비SAE 2. key-SAE-BB 3. Spline SAE-BB 4. Spline SAE-B	(축끝에서 볼때) R. 우회전 L. 좌회전	A-19 페이지 참조	C	1. NBR	(아래표 참조)
BT6DC	014, 020, 024 028, 031, 035 038, 042, 045 050, 061	003, 005, 006 008, 010, 012 014, 015, 017, 020, 022, 025, 028, 031	1. key-SAE-C 2. key-비SAE 3. Spline SAE-C 4. Spline 비SAE 5. key-비SAE			B	5. 불소고무	
BT6EC	042, 045, 050 052, 057, 062 066, 072, 085	003, 005, 006 008, 010, 012 014, 015, 017, 020, 022, 025, 028, 031	1. key-SAE-CC 2. key-비SAE 3. Spline SAE-C 4. Spline SAE-CC			B		
BT6ED	042, 045, 050 052, 057, 062 066, 072, 085	014, 020, 024 028, 031, 035 038, 042, 045 050, 061	1. key-SAE-CC 2. key-비SAE 3. Spline SAE-C 4. Spline SAE-CC			B		

### ■ Port size - BT6CC

code	P1	P2	S
00	1"	1"	3"
11	1"	3/4" <sup>(1)</sup>	2 1/2" <sup>(2)</sup>

- (1) cap 측 pump의 이론토출량이 46cm<sup>3</sup>/rev이하일 경우  
 (2) 두개 pump의 이론토출량의 합계가 126cm<sup>3</sup>/rev 이하일 경우  
 큰 쪽의 cartridge를 항상 shaft측에 취부하여 주십시오.

### ■ Foot Bracket관 Flange Kit번호

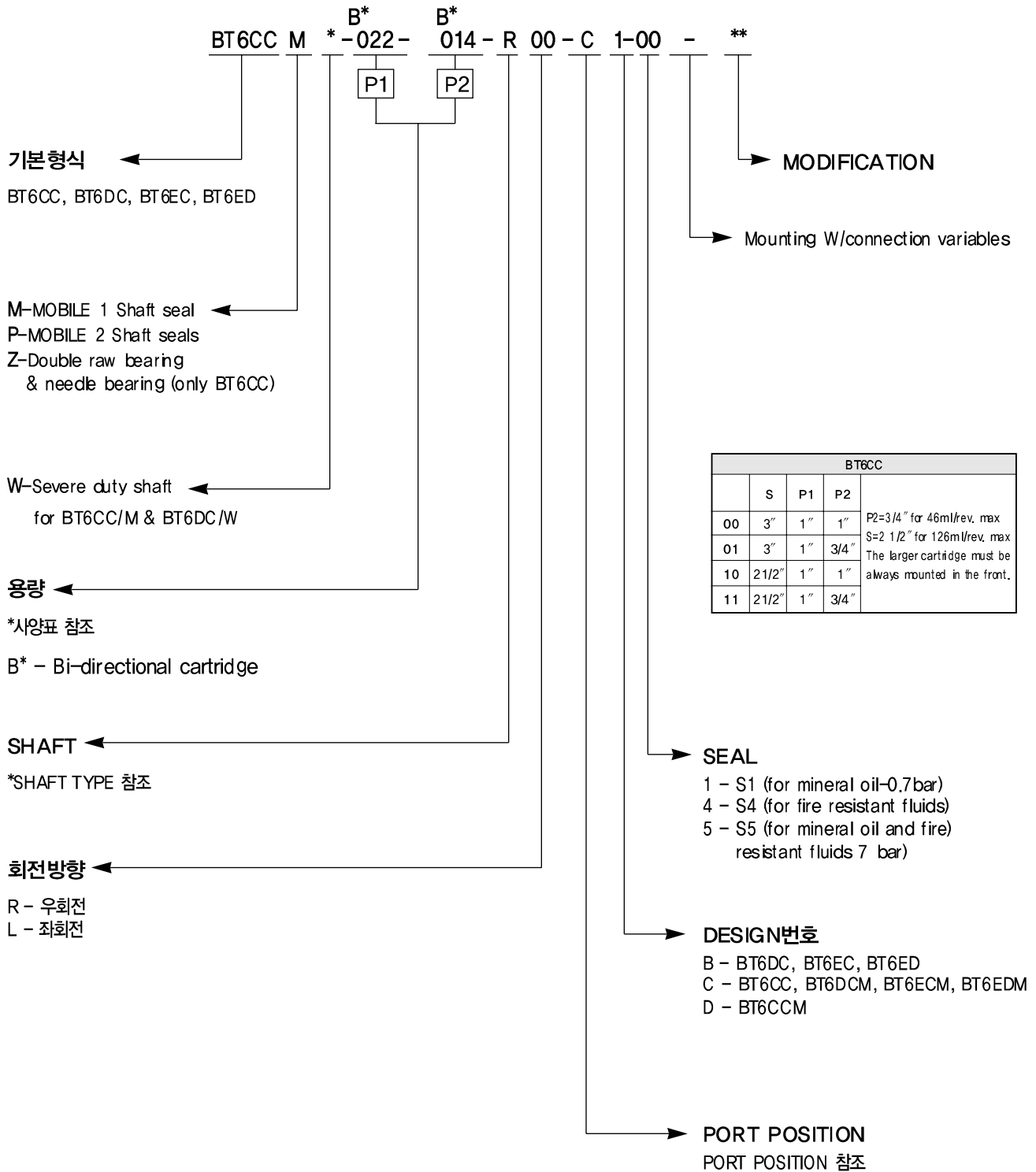
model번호	취부규격 <sup>(2)</sup>	foot bracket kit 번호	port	구경 <sup>(3)</sup>	flange kit번호 <sup>(1)</sup>	
					PT나사형	용접형
BT6CC	SAE-B SAE-BB 2 Bolt	SI4-10785	S	3"	JSI4-66939	SI4-55163
			S	2 1/2"	JSI4-66938	SI4-55162
			P1	1"	JSI4-66934	SI4-55158
			P2	1"	JSI4-66934	SI4-55158
			P2	3/4"	JSI4-66933	SI4-55157
BT6DC	SAE-C 2 Bolt	SI4-08057	S	3"	JSI4-66939	SI4-55163
			P1	1 1/4"	JSI4-66935	SI4-55159
			P2	1"	JSI4-66934	SI4-55158
BT6EC	SAE-C SAE-CC 2 Bolt	SI4-28966	S	3 1/2"	JSI4-551454	SI4-55164
			P1	1 1/2"	JSI4-66936	SI4-55160
			P2	1"	JSI4-66934	SI4-55158
BT6ED	SAE-C SAE-CC 2 Bolt	SI4-28966	S	4"	JSI4-66940	SI4-55165
			P1	1 1/2"	JSI4-66936	SI4-55160
			P2	1 1/4"	JSI4-66935	SI4-55159

주) (1) seal 재질이 불소고무인 경우는 kit번호의 끝에 -S5를 붙여 주십시오. 상세한 것은 A-45페이지를 참조하십시오.  
 (2) SAE J744C. ISO/3019-1  
 (3) SAE J5180. ISO/DIS6162

### ■ 석유계 내마모성 작동유를 사용하는 경우의 표준사양입니다.

model번호	이론토출량, 최고사용압력, 운전특성		허용회전수 rpm		중량 kg	
	shaft측 pump	cap측 pump	최고	최저	pump	foot
BT6CC	BT6C single pump와 동일	BT6C single pump와 동일	2800	600	26	30.8
BT6DC	BT6D single pump와 동일	BT6C single pump와 동일	2500	600	37	43
BT6EC	BT6E single pump와 동일	BT6C single pump와 동일	2200	600	55	68
BT6ED	BT6E single pump와 동일	BT6D single pump와 동일	2200	600	65	79

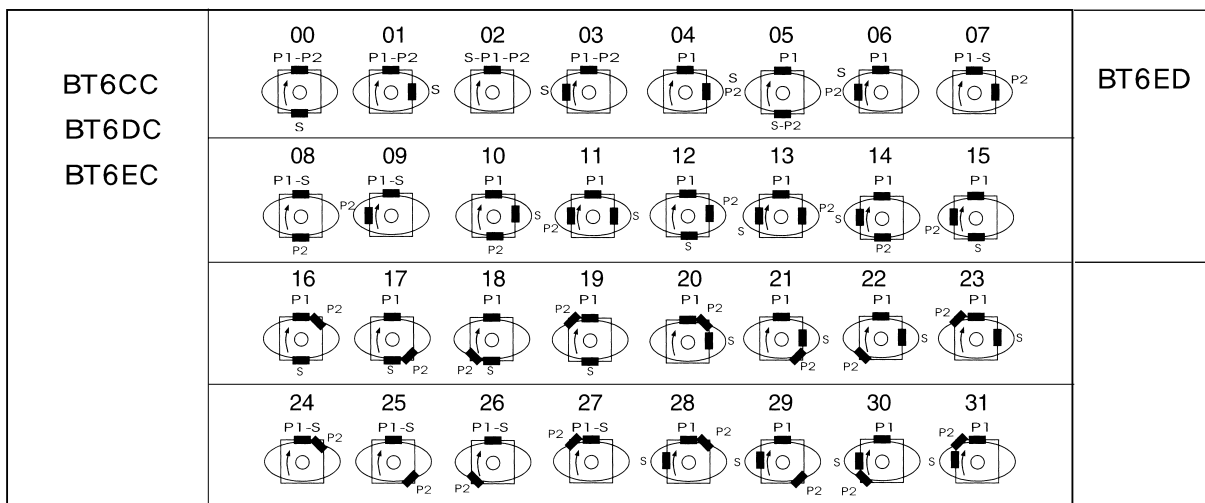
주) 총축입력은 각 Pump의 운전조건에서의 축입력의 합이 됩니다.



## ■ SHAFT TYPE

<p><b>BT6CC</b>                  1 - keyed (non SAE)                  3 - splined (SAE BB)                  5 - splined (SAE BB)</p> <p><b>BT6CCW</b>                  2 - keyed (SAE BB)</p>	<p><b>BT6CCM</b>                  1 - keyed (non SAE)                  3 - splined (SAE BB)                  5 - splined (SAE B)</p>	<p><b>BT6CCMW</b>                  2 - keyed (SAE BB)                  R - keyed special                  T - splined (SAE J718c)                  V - keyed special                  W - keyed special                  X - keyed special</p>	<p><b>BT6CCP</b>                  3 - splined (non SAE)                  4 - splined (SAE BB)                  6 - splined (non SAE)</p> <p><b>BT6CCZ</b>                  V - keyed                  W - keyed                  X - keyed</p>
<p><b>BT6DC</b>                  1 - keyed (SAE C)                  2 - keyed (non SAE)                  3 - splined (SAE C)                  4 - splined (non SAE)</p>	<p><b>BT6DCW</b>                  5 - keyed (non SAE)</p> <p><b>BT6DCP</b>                  3 - splined (non SAE)</p>	<p><b>BT6DCM</b>                  1 - keyed (SAE C)                  2 - keyed (non SAE)                  3 - splined (SAE C)                  4 - splined (non SAE)</p>	<p><b>BT6DCMW</b>                  5 - keyed (non SAE)                  T - splined (SAE J718c)</p>
<p><b>BT6EC</b>                  1 - keyed (SAE CC)                  2 - keyed (non SAE)                  3 - splined (SAE C)                  4 - splined (SAE CC)</p>	<p><b>BT6ECM</b>                  1 - keyed (SAE CC)                  2 - keyed (non SAE)                  3 - splined (SAE C)                  4 - splined (non SAE)                  T - splined (SAE J718c)</p>	<p><b>BT6ECP</b>                  3 - splined (non SAE)</p>	
<p><b>BT6ED</b>                  1 - keyed (SAE-CC)                  2 - keyed (non SAE)                  3 - splined (SAE C)                  4 - splined (SAE CC)</p>	<p><b>BT6EDM</b>                  1 - keyed (SAE-CC)                  2 - keyed (non SAE)                  3 - splined (SAE C)                  4 - splined (non SAE)                  T - splined (SAE J 718c)</p>	<p><b>BT6EDP</b>                  3 - splined (non SAE)</p>	

## ■ PORT POSITION



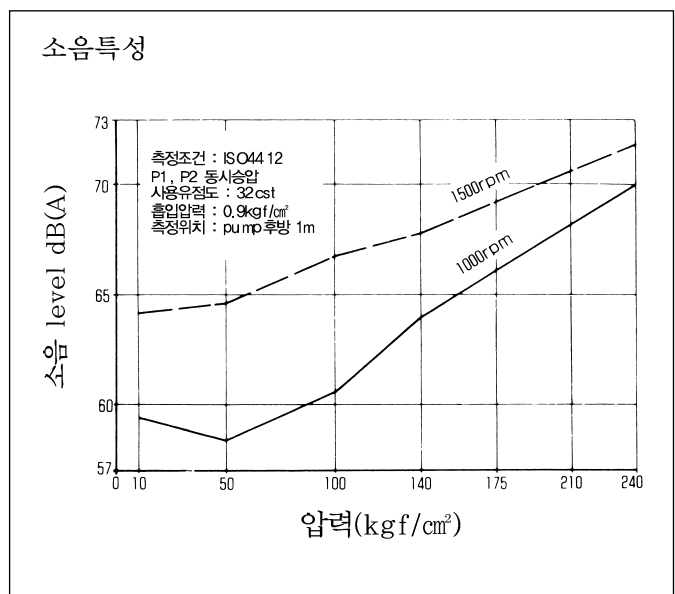
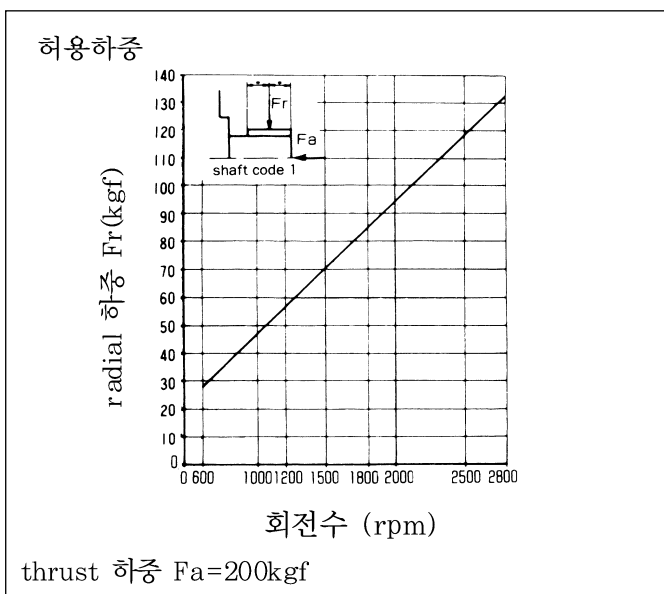
## ■ 사양

Series	P1			P2			Max speed rpm	Mounting Standard SAE J 744c ISO 3019-1	Weight lbs kgs		Connection SAE 4 bolts				
	Cam Ring US gpm	Volumetric Displacement cm <sup>3</sup> /rev in <sup>3</sup> /rev		Max Pressure bar psi	Cam Ring US gpm	Volumetric Displacement cm <sup>3</sup> /rev in <sup>3</sup> /rev					Max Pressure bar psi	Suction Inlet S	Pressure Outlet		
		P1	P2			P1							P2		
BT6CC/M	003 to 031	10.8 to 10.00	0.66 6.10	275 4000	003 to 031	10.8 to 100.0	0.66 6.10	275 4000	2800	SAEB	57 26	2 1/2" or 3"	1"	1" or 3/4"	
BT6DC/M	014 to 061	47.6 to 190.5	2.90 12.11	240 3500	003 to 031	10.8 to 100.0	0.66 6.10	275 4000	2800	SAE C	87.3 37	3"	1 1/4"	1"	
BT6EC/M	042 to 085	132.3 to 269.8	8.70 16.4	240 3500	003 to 031	10.8 to 100.0	0.66 6.10	275 4000	2200	SAE C	121 55	3 1/2"	1 1/2"	1"	
BT6ED/M	042 to 085	132.3 to 268.8	8.07 16.4	240 3500	014 to 061	47.6 to 190.5	2.90 12.11	240 3500	2200	SAEC	146 66	4"	1 1/2"	1"	

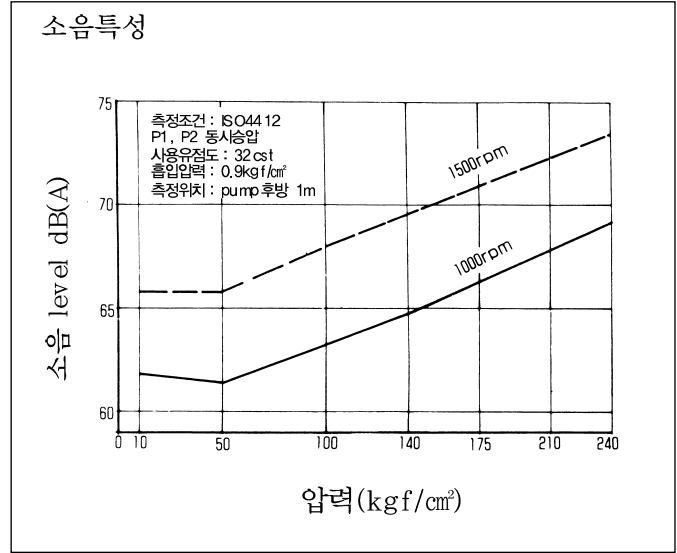
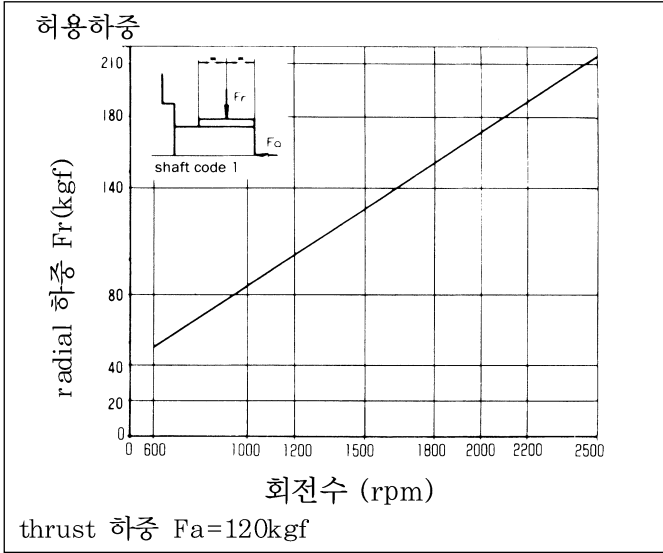
B - B15 - 4060 psi (280 bar) max int.  
 C - 025, 028, 031 - 2500 rpm max. 028, 031 - 3000 psi (210 bar) max int.  
 D - 042, 045, 050 - 2200 rpm max. 050 - 3000 psi (210 bar) max int. 061 - 1700 psi (120 bar) max int.  
 E - 085 - 2000 rpm max. 1300 psi (90 bar) max int.  
 Port connection can be furnished with metric threads on request.

## ■ 성능곡선

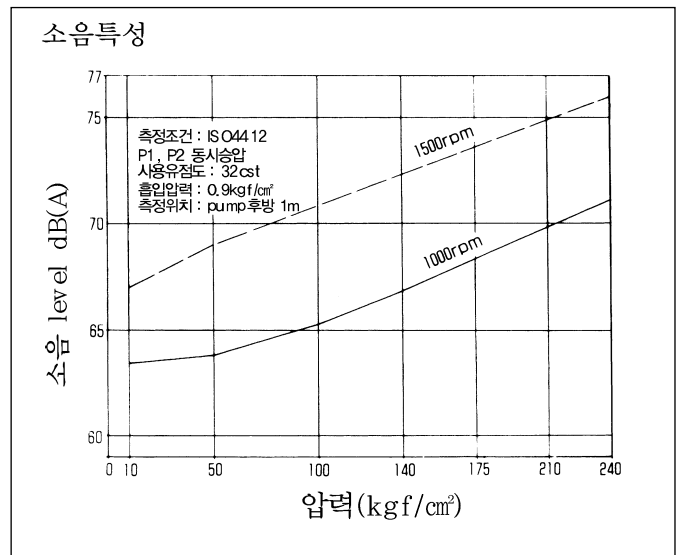
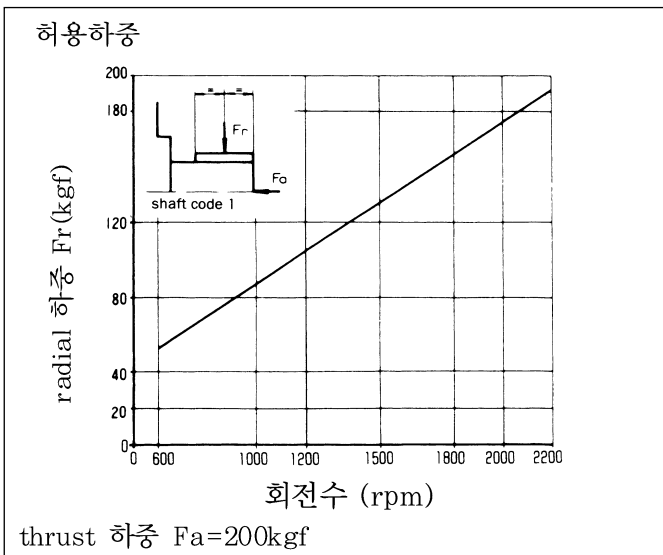
### BT6CC



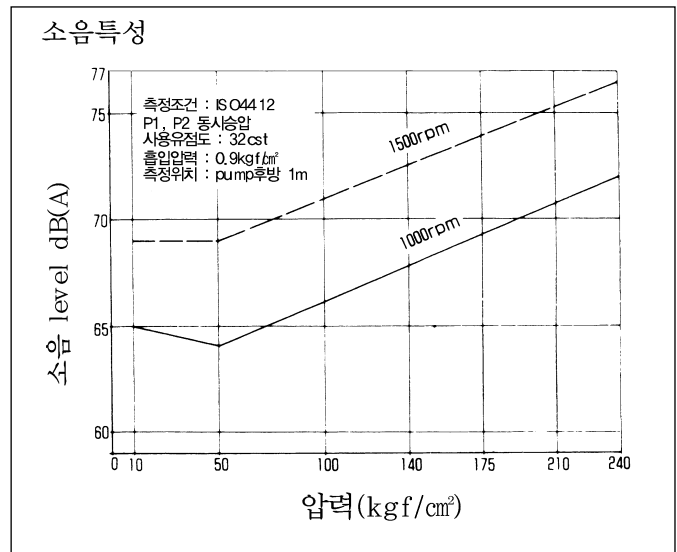
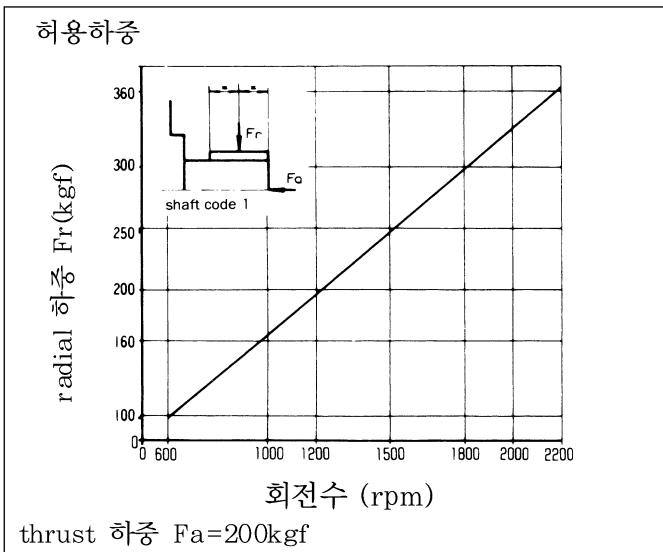
## ■ BT6DC



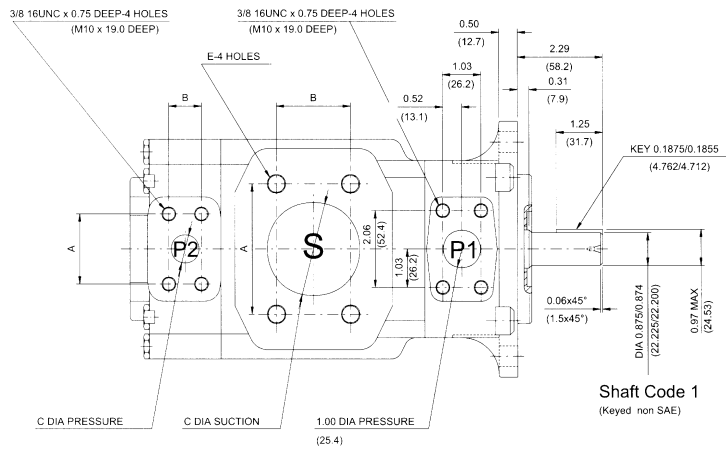
## ■ BT6EC



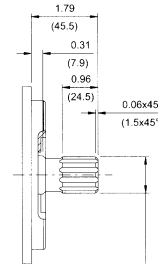
## ■ BT6ED



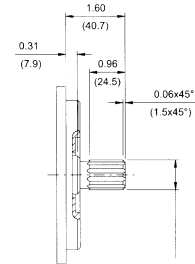
## ■ BT6CC/BT6CCM/BT6CCP/BT6CCZ



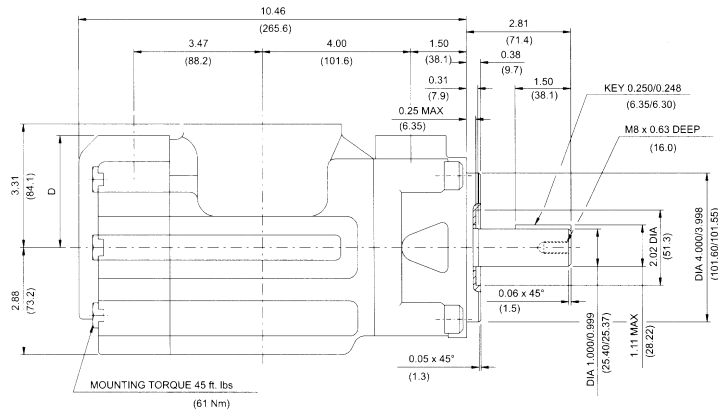
**Shaft Code 1**  
(Keyed non SAE)



**Shaft Code 3**  
SAE B-B Splined shaft  
Class 1-3498 b  
16/32 d.p. -15 teeth  
30° pressure angle  
flat root side fit

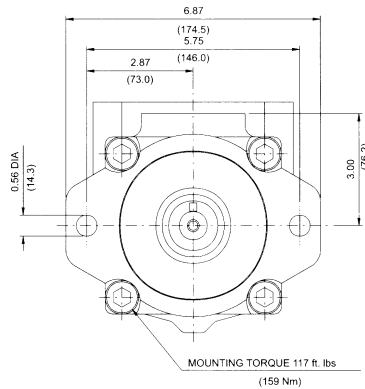


**Shaft Code 5**  
SAE B Splined shaft  
Class 1-3498 b  
16/32 d.p. -13 teeth  
30° pressure angle  
flat root side fit



**BT6CCW/BT6CCMW**

**Shaft Code 2**  
(Keyed SAE "B-B")

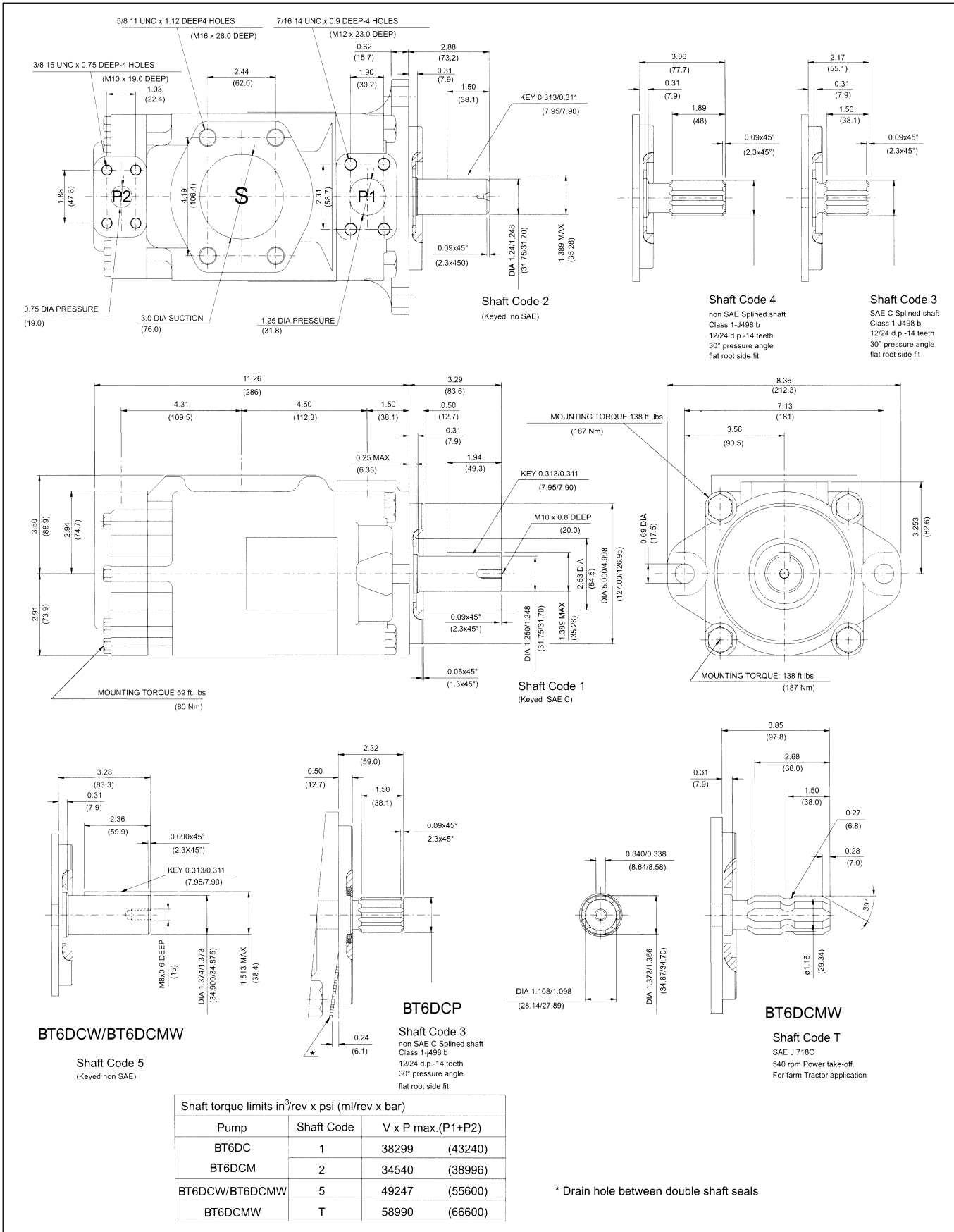


Shaft torque limits in <sup>3</sup> /rev x psi (ml/rev x bar)		
Pump	Shaft Code	V x P max. (P1+P2)
BT6CC	1	12666 (14300)
	3	28937 (32670)
BT6CCM	5	18246 (20600)
BT6CCW	2	18972 (21470)
BT6CCMW	T	28937 (32670)

Shaft torque limits in <sup>3</sup> /rev x psi (ml/rev x bar)		
Pump	Shaft Code	V x P max. (P1+P2)
BT6CCZ	V	28937 (32670)
	W	28937 (32670)
	X	22500 (25400)

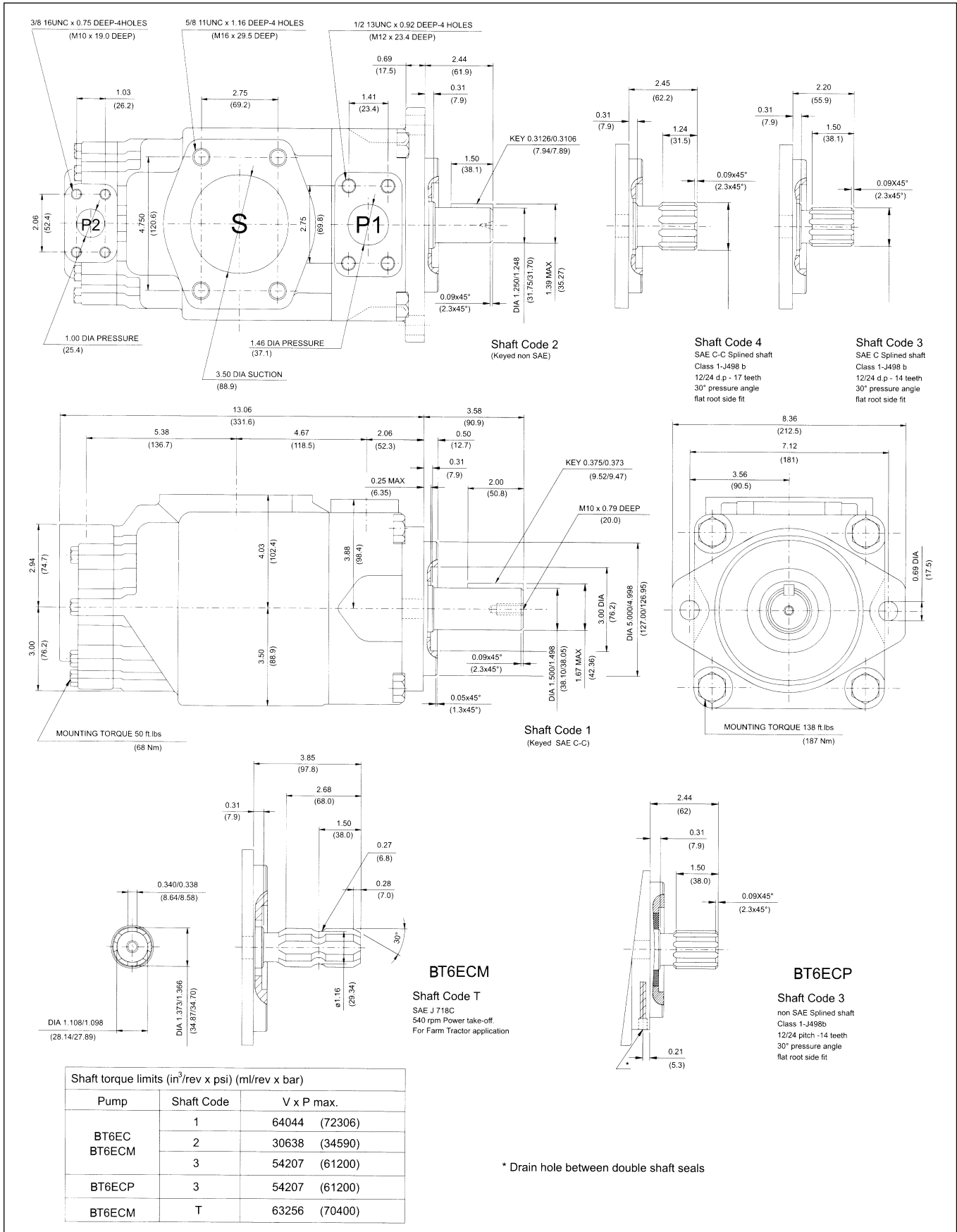
Port	Code	A	B	C	D	E
S	3"	4.19 (106.4)	2.44 (61.9)	3.00 (76.2)		5/8"-11UNCx1.12 deep (28.4)
S	2½"	3.50 (88.9)	2.00 (50.8)	2.50 (63.5)		1/2"-13UNCx0.94 deep (23.9)
P1	1"	2.06 (52.4)	1.03 (26.2)	1.00 (25.4)	3.00 (76.2)	
P2	¾"	1.88 (47.7)	0.88 (22.4)	0.75 (19.0)	3.00 (76.2)	
P2	1"	2.06 (52.4)	1.03 (26.2)	1.00 (25.4)	2.94 (74.7)	

## ■ BT6DC/BT6DCM/BT6DCP

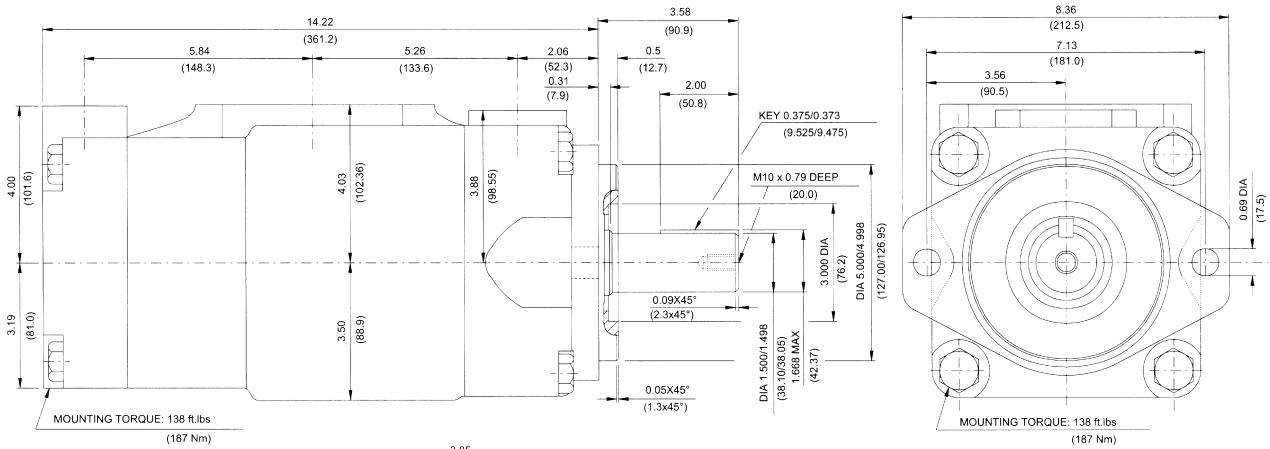
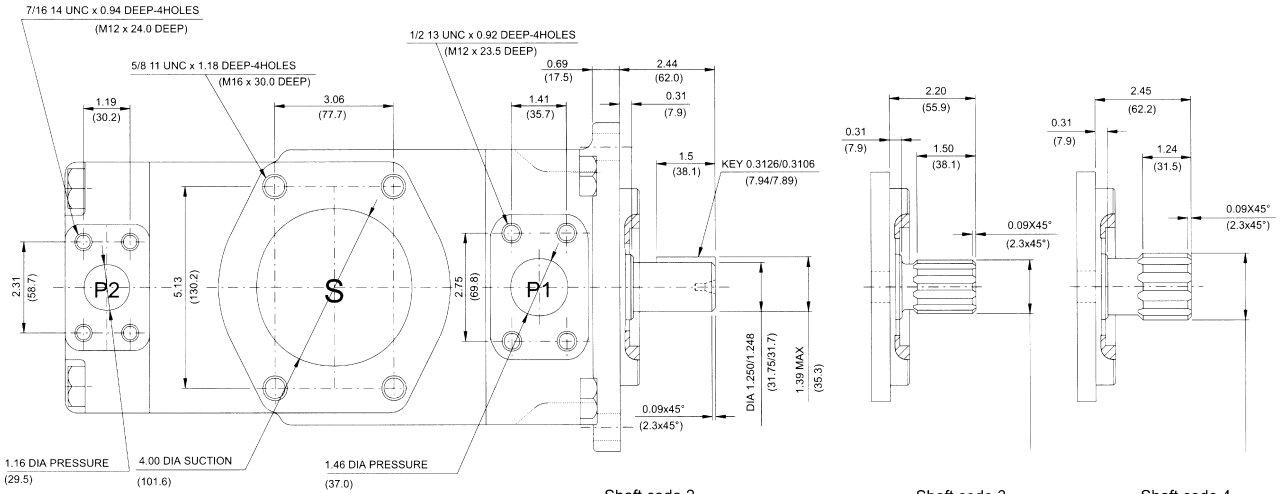




## BT6EC/BT6ECM/BT6ECP



## BT6ED/BT6EDM/BT6EDP



Shaft torque limits in <sup>3</sup> /revxpsi (ml/rev x bar)		
Pump	Shaft Code	V x P max. (P1+P2)
BT6ED	1	64044 (72306)
BT6EDM	2	30638 (34590)
	3	54207 (61200)
BT6EDP	3	54207 (61200)
BT6EDM	T	62356 (70400)

\* Drain hole between double Shaft seals